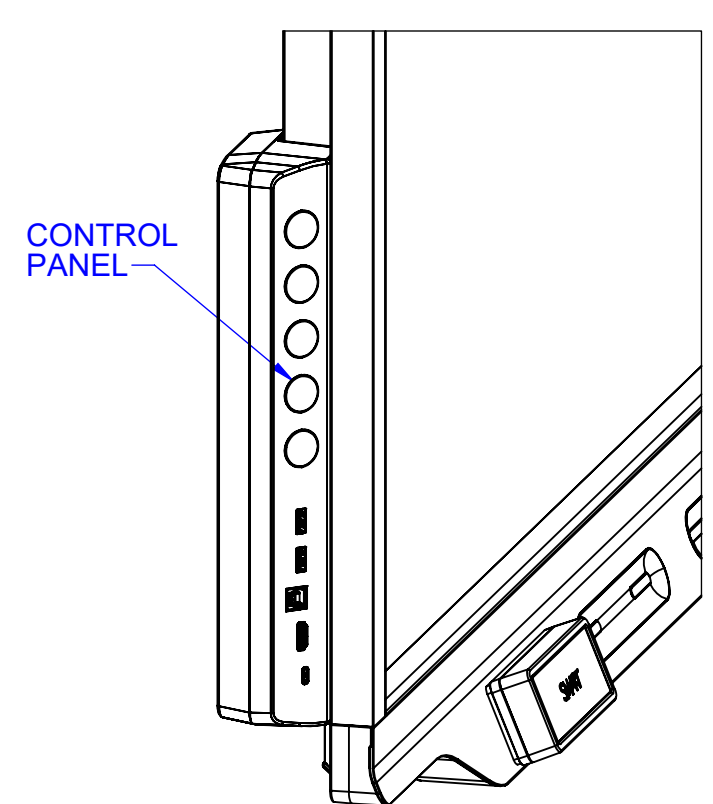
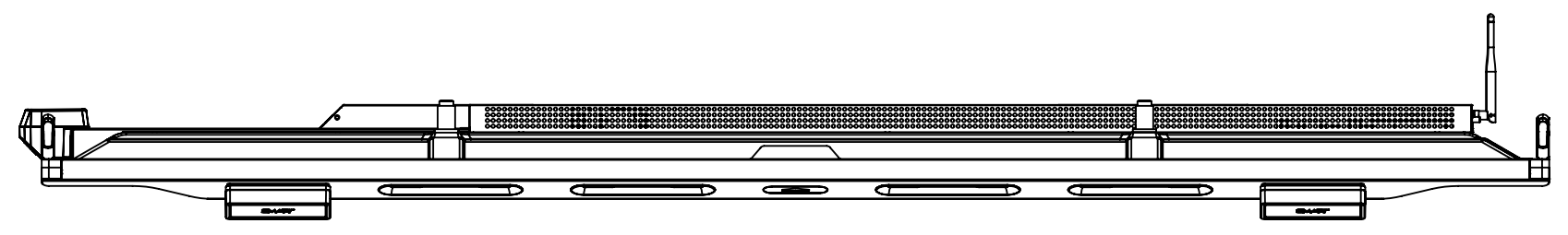


SMART Board Interactive Display[®]™ SBID-7X75R / SBID-7X75R-P/PW

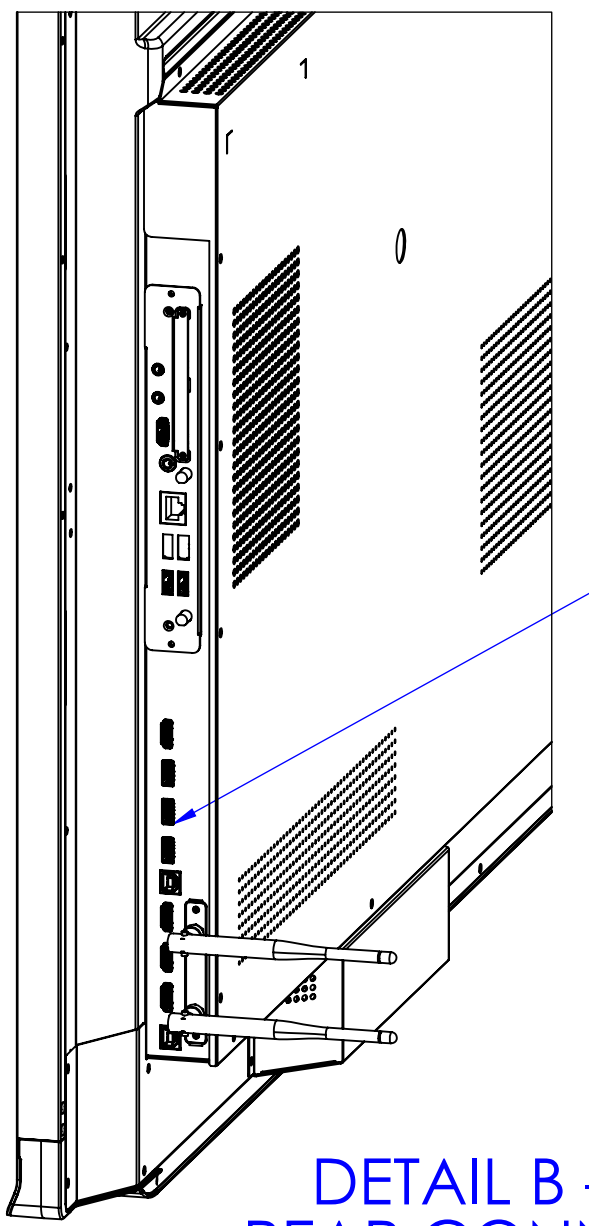
NOTES:
 1. PANEL WEIGHT IS APPROXIMATELY 58 KG (128 LB) NOT INCLUDING CABLES OR ACCESSORIES.
 2. ENSURE MOUNTING BRACKETS AND WALL ARE RATED FOR LOAD.



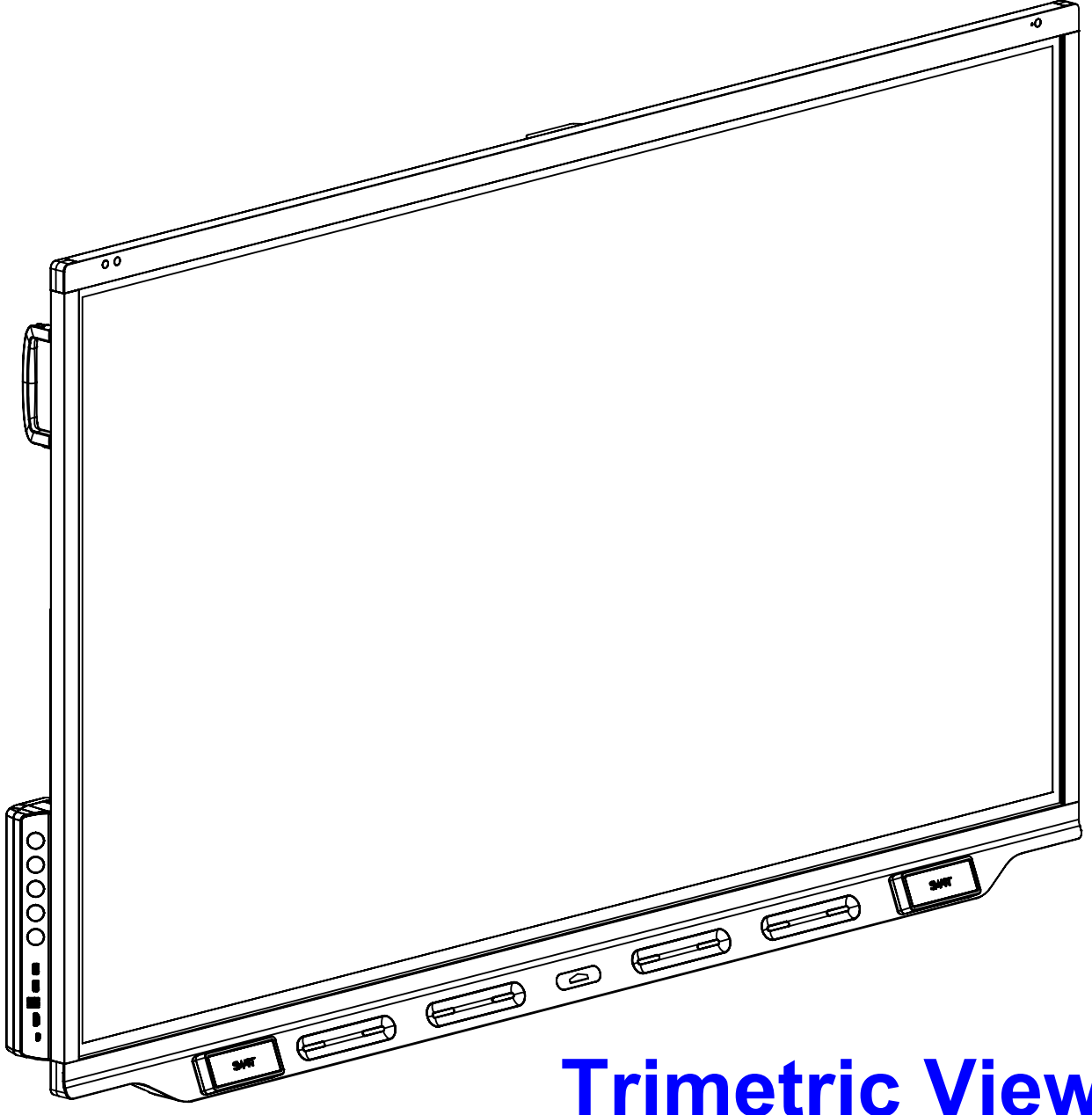
DETAIL A - (ISOMETRIC) LEFT CONTROL PANEL



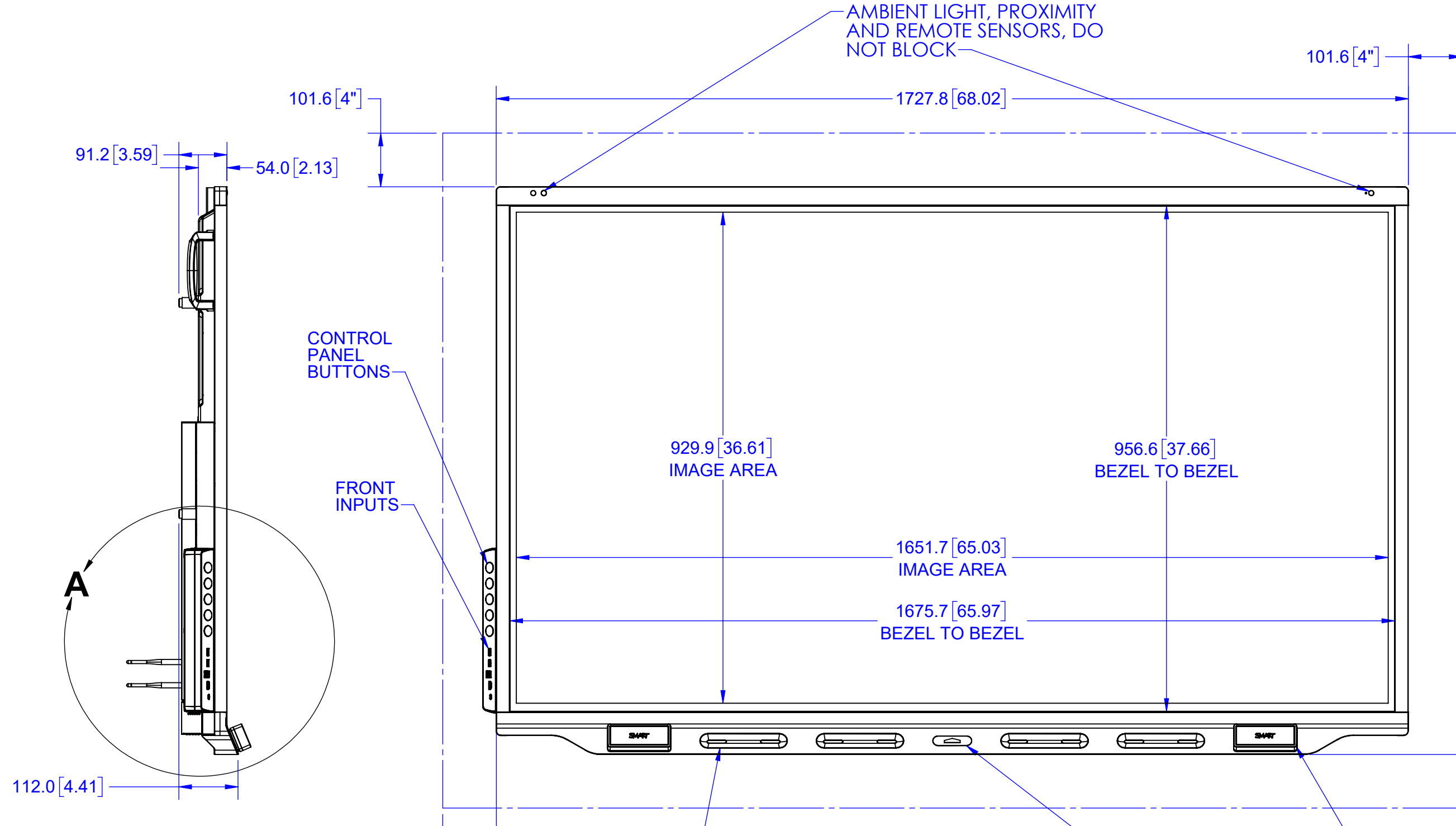
Top View



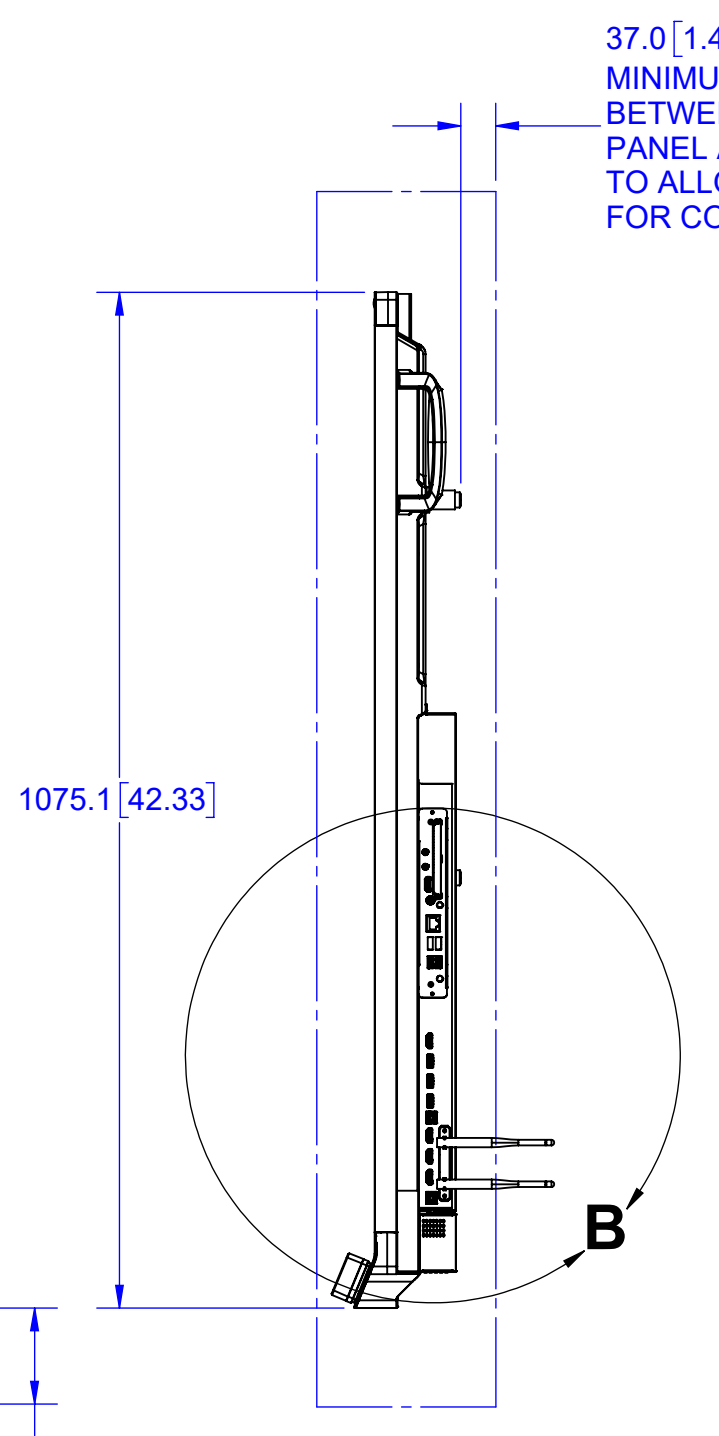
DETAIL B - (ISOMETRIC) REAR CONNECTION PANEL



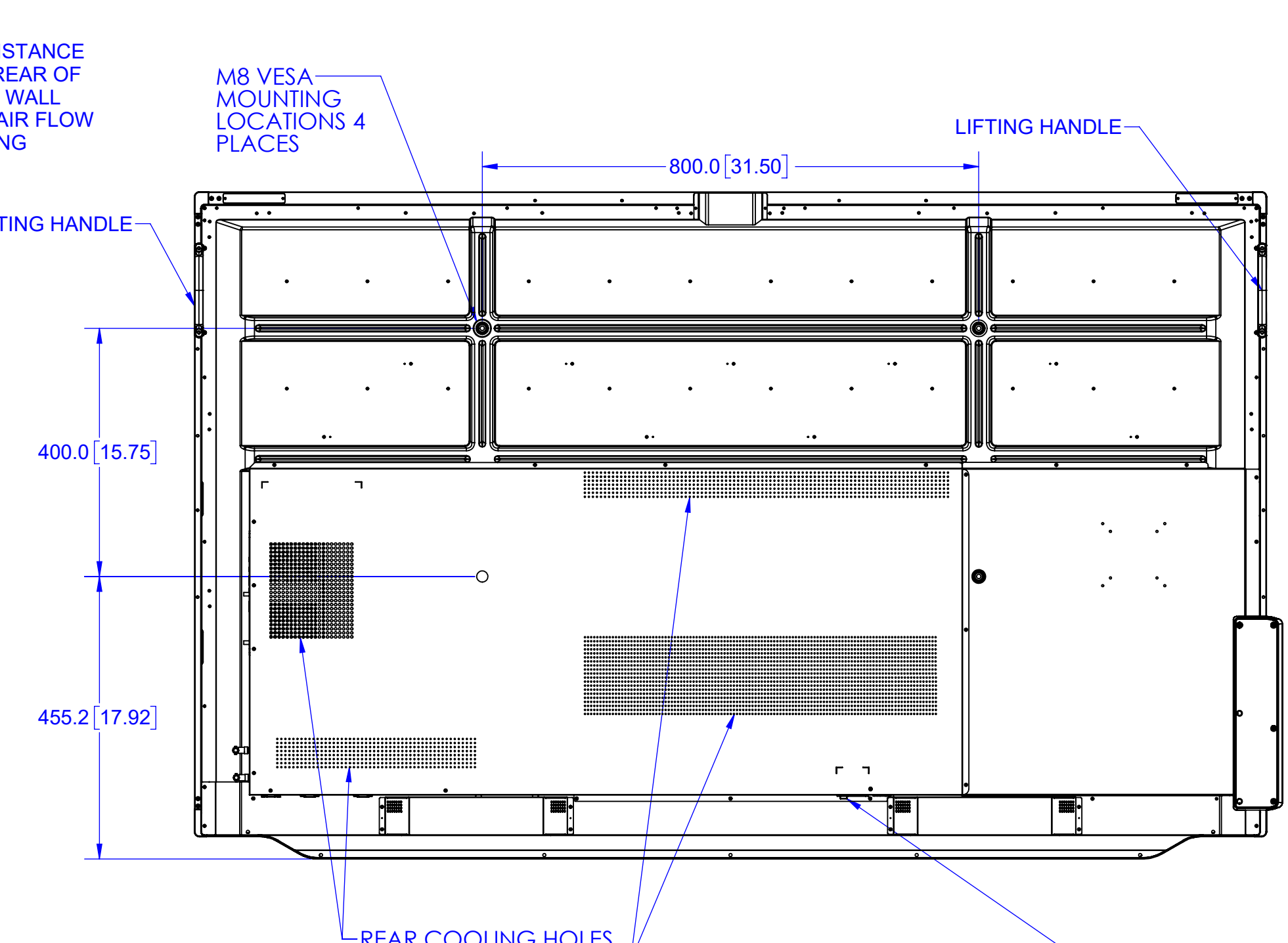
Trimetric View



Front View



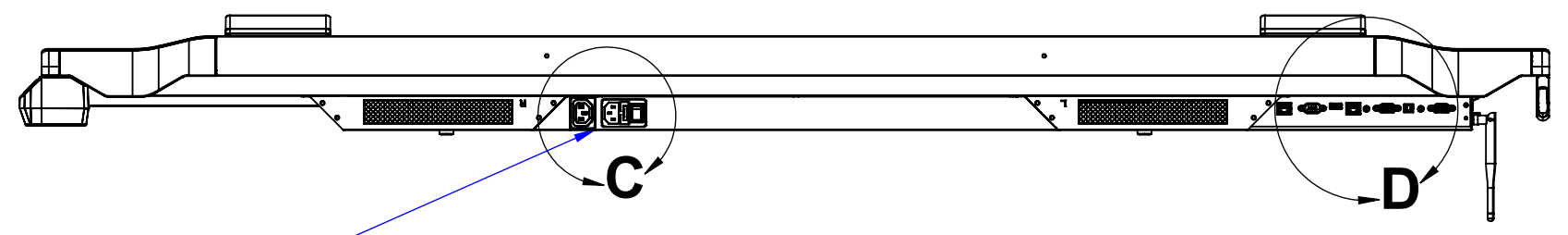
Side View



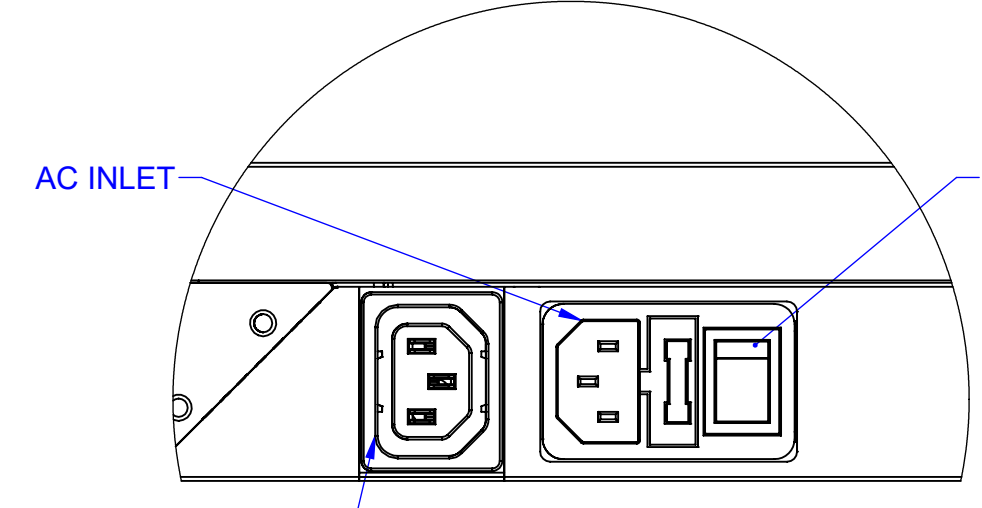
Back View

Side View

101.6 [4"]
 IF INTERACTIVE FLAT PANEL IS MOUNTED IN A RECESSED AREA, LEAVE AT LEAST 4" (10cm) OF SPACE BETWEEN THE PANEL AND THE RECESS WALLS TO ENABLE VENTILATION AND COOLING

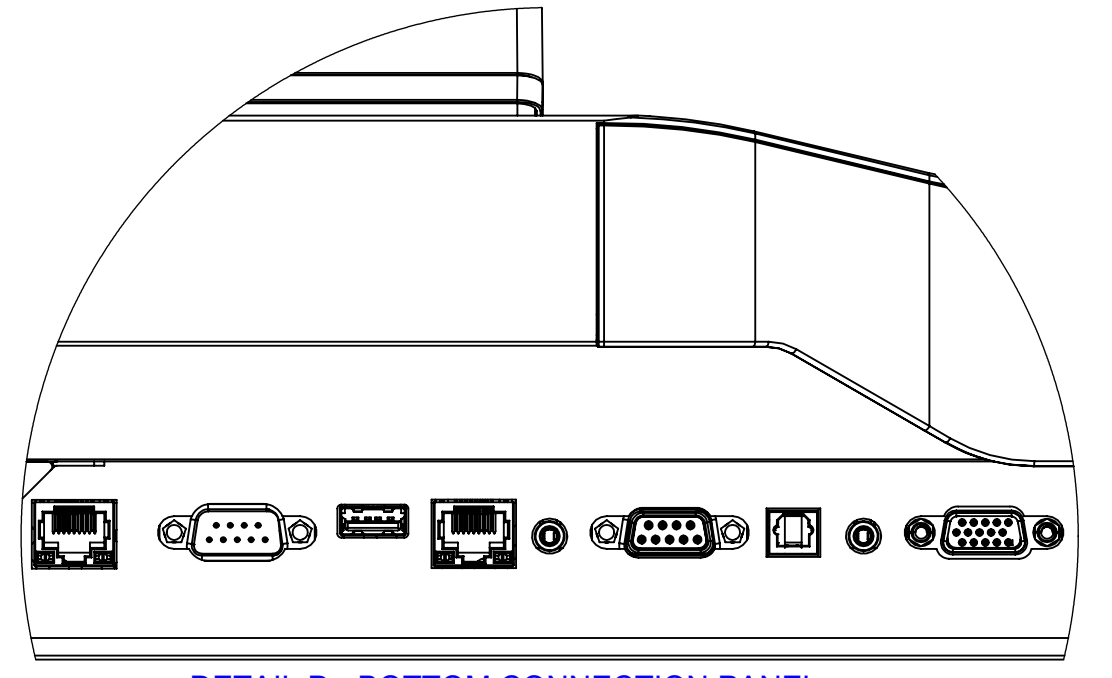


Bottom View



DETAIL C - AC PANEL

AC PASS THROUGH (100-240V, 50/60Hz, 2.5-1A, 250W)



DETAIL D - BOTTOM CONNECTION PANEL

These drawings are for outline and installation purposes only.

All dimensions are given in millimeters (inches).

Dimensions are subject to change without notice.

All dimensions +/-3mm (1/8")

NOTE: DO NOT SCALE

The contents of this document are compiled from a variety of documents to provide a consolidated view of key criteria. Should there be any information you need that is not adequately captured in either this document or the related documents, please contact us at cadrequest@smarttech.com for assistance.

This document is uncontrolled at the time of printing. Please ensure you are using the latest revision available.



3636 Research Road NW
 Calgary, Alberta T2L 1Y1
 CANADA

© 2019 SMART Technologies ULC. All rights reserved. The SMART logo, smarttech and all SMART taglines are trademarks or registered trademarks of SMART Technologies ULC in the U.S. and/or other countries.

This product and/or use thereof covered by one or more of the following U.S. patents.

www.smarttech.com/patents

SMART Board Interactive Display[®]™ SBID-7X75R / SBID-7X75R-P/PW

These drawings are for outline and installation purposes only.

All dimensions are given in millimeters (inches).

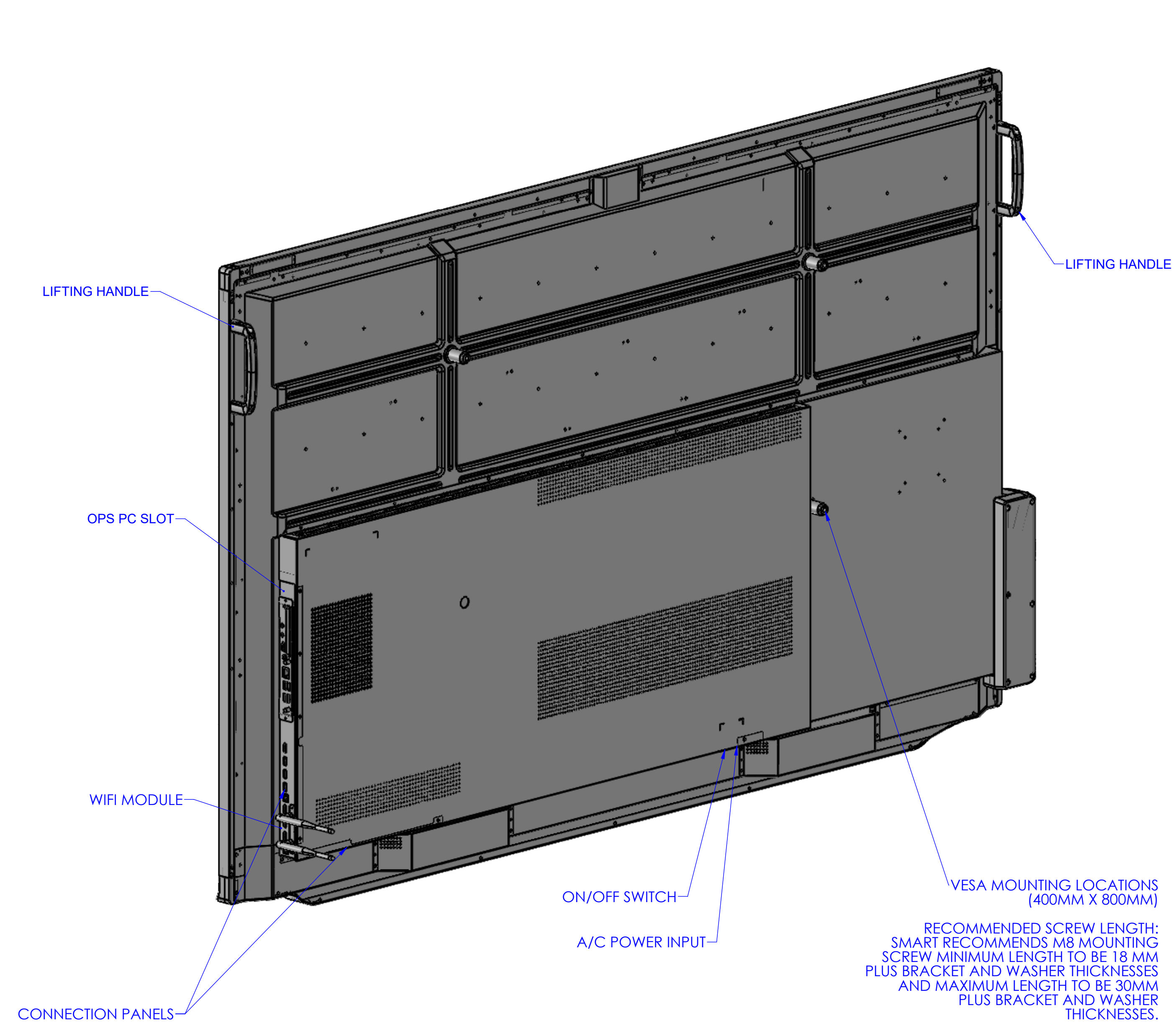
Dimensions are subject to change without notice.

All dimensions +/-3mm (1/8")

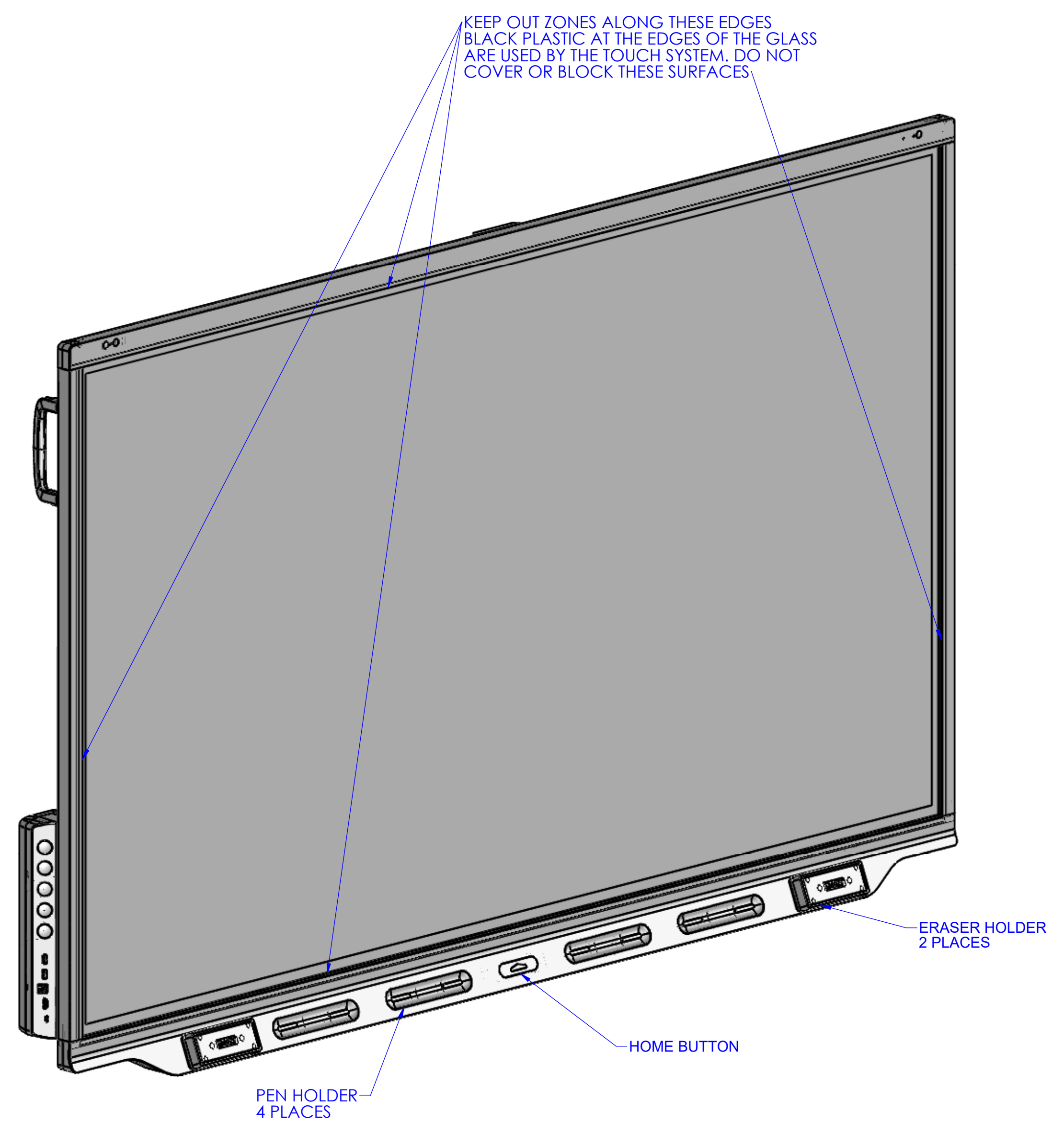
NOTE: DO NOT SCALE

The contents of this document are compiled from a variety of documents to provide a consolidated view of key criteria. Should there be any information you need that is not adequately captured in either this document or the related documents, please contact us at cadrequest@smarttech.com for assistance.

This document is uncontrolled at the time of printing. Please ensure you are using the latest revision available.



Rear Trimetric View



Front Trimetric View



3636 Research Road NW
Calgary, Alberta T2L 1Y1
CANADA

© 2019 SMART Technologies ULC.
All rights reserved.
The SMART logo, smarttech and all SMART taglines are trademarks or registered trademarks of SMART Technologies ULC in the U.S. and/or other countries.

This product and/or use thereof covered by one or more of the following U.S. patents.

www.smarttech.com/patents

SMART Board Interactive Display[®]™ SBID-7X75R / SBID-7X75R-P/PW

These drawings are for outline and installation purposes only.

All dimensions are given in millimeters (inches).

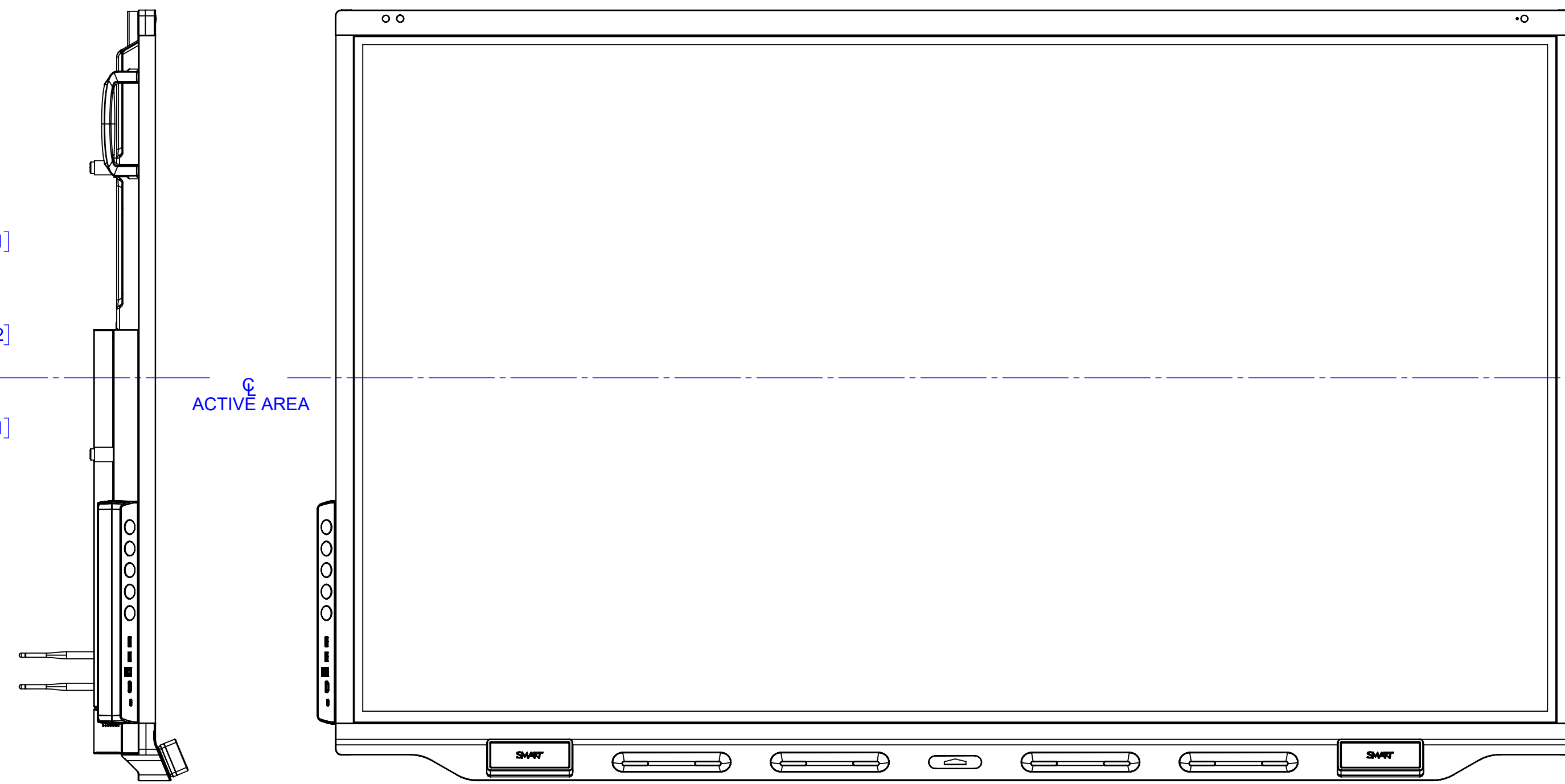
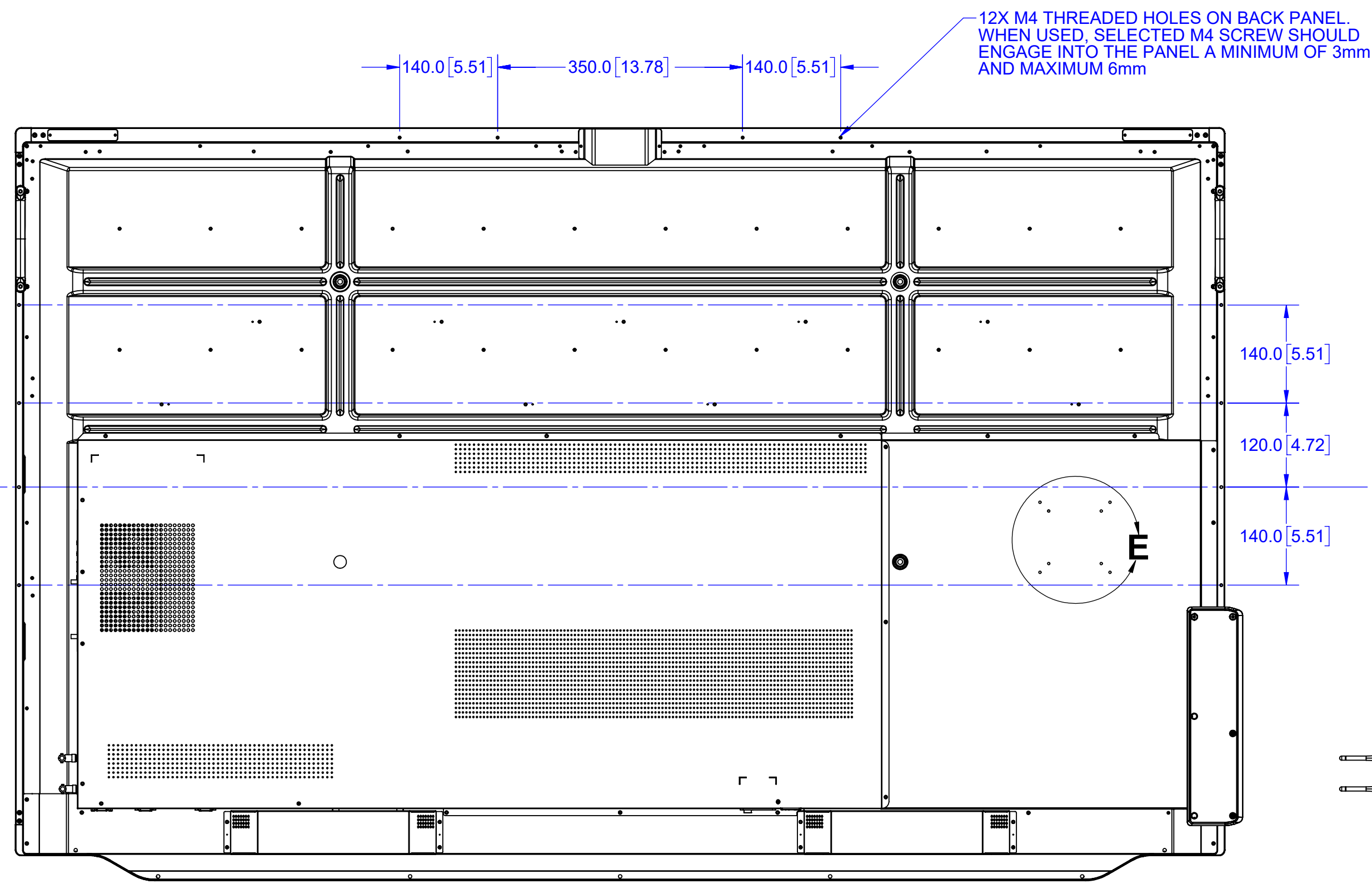
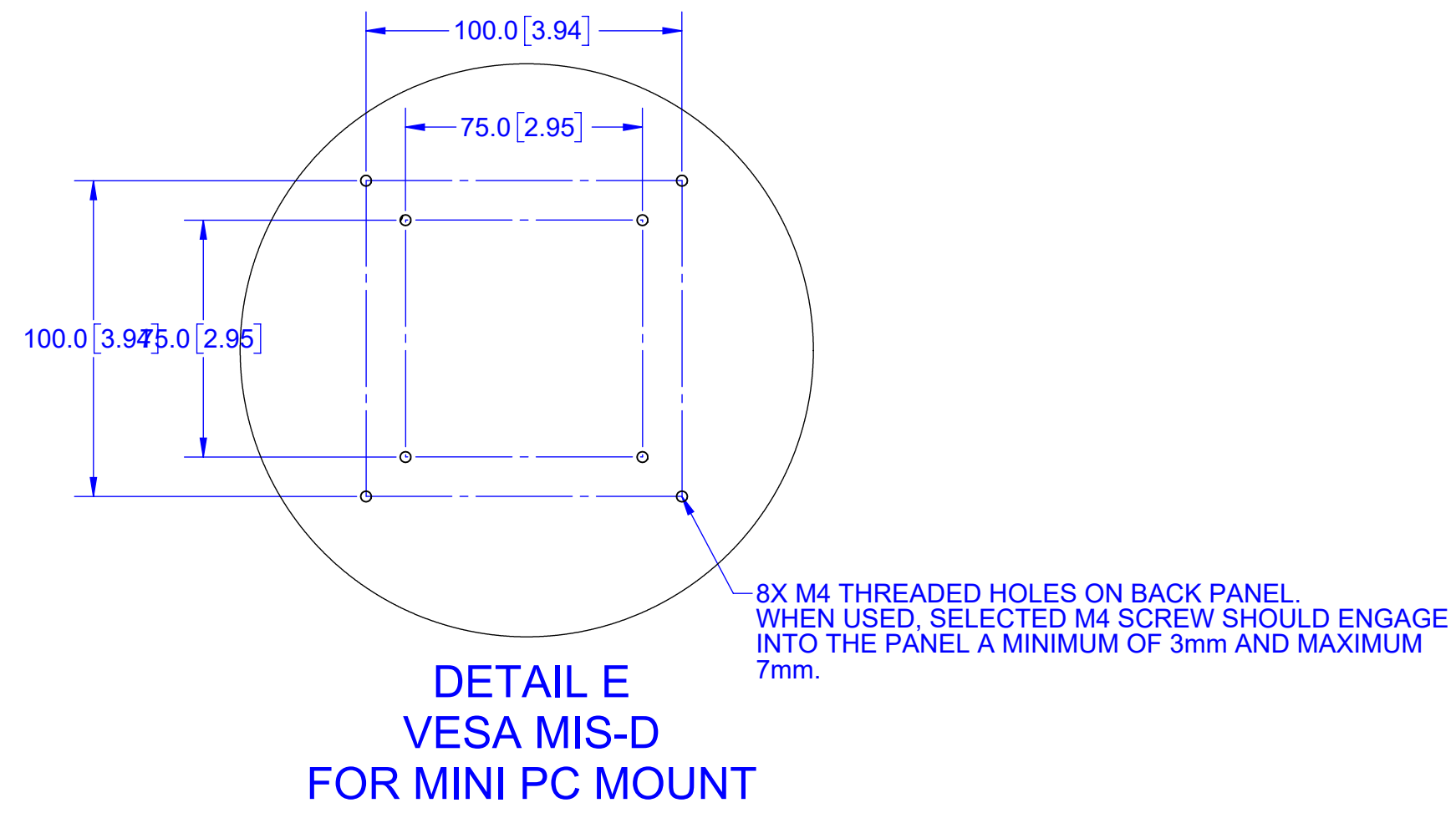
Dimensions are subject to change without notice.

All dimensions +/-3mm (1/8")

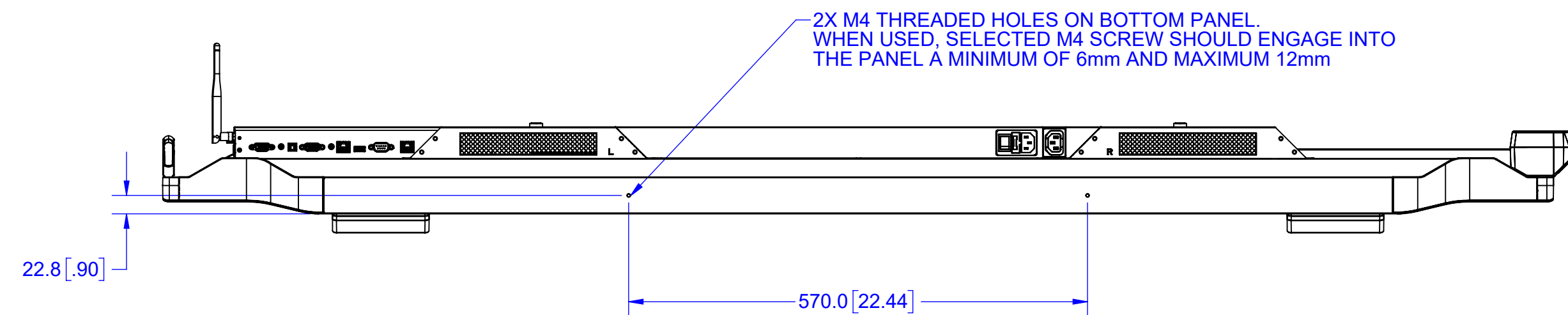
NOTE: DO NOT SCALE

The contents of this document are compiled from a variety of documents to provide a consolidated view of key criteria. Should there be any information you need that is not adequately captured in either this document or the related documents, please contact us at cadrequest@smarttech.com for assistance.

This document is uncontrolled at the time of printing. Please ensure you are using the latest revision available.



Front View



Accessory Mounting Points



3636 Research Road NW
Calgary, Alberta T2L 1Y1
CANADA

© 2019 SMART Technologies ULC. All rights reserved. The SMART logo, smarttech and all SMART taglines are trademarks or registered trademarks of SMART Technologies ULC in the U.S. and/or other countries.

This product and/or use thereof covered by one or more of the following U.S. patents.

www.smarttech.com/patents